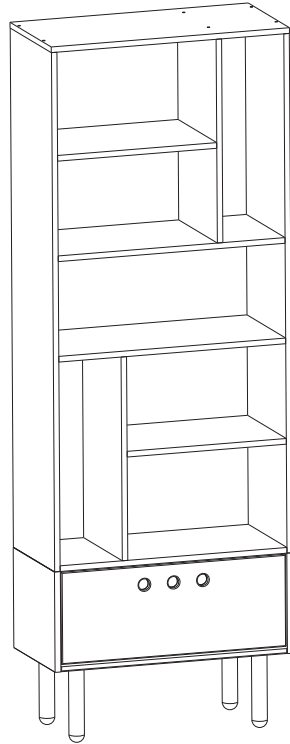


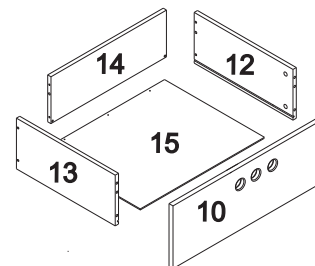
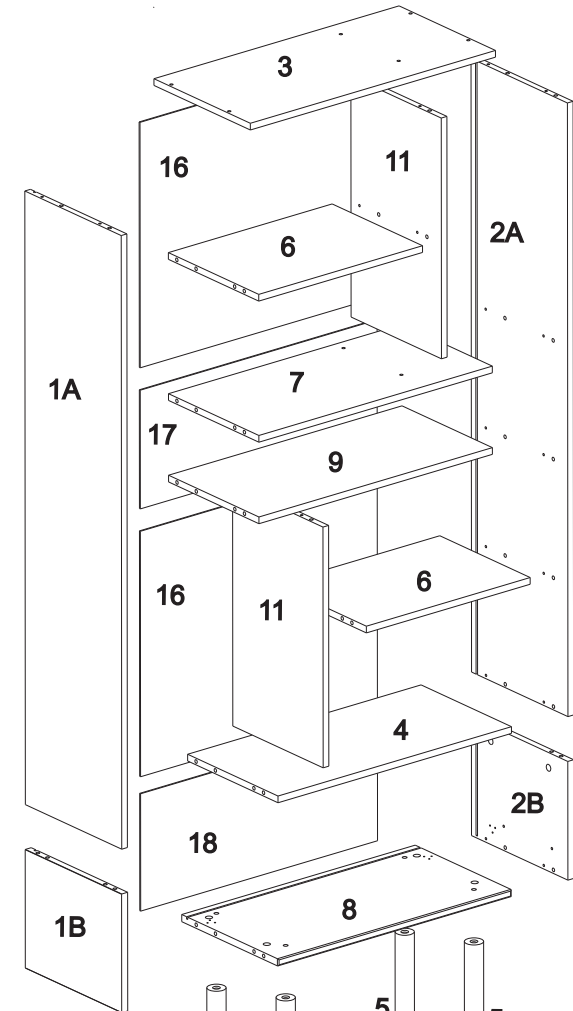
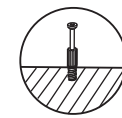
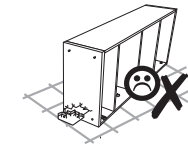
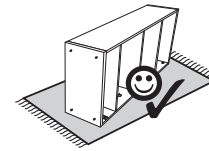
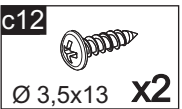
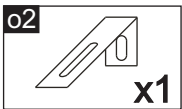
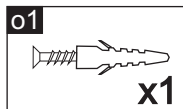
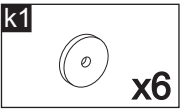
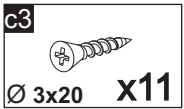
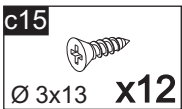
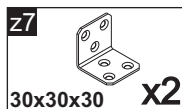
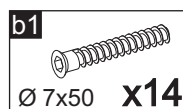
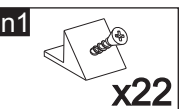
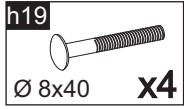
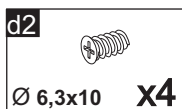
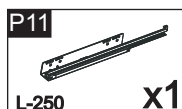
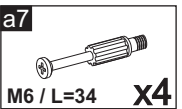
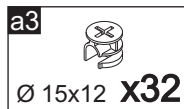
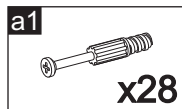
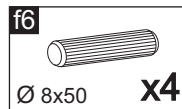
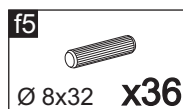
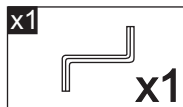
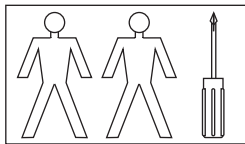
wood luck

River

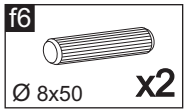
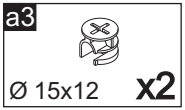
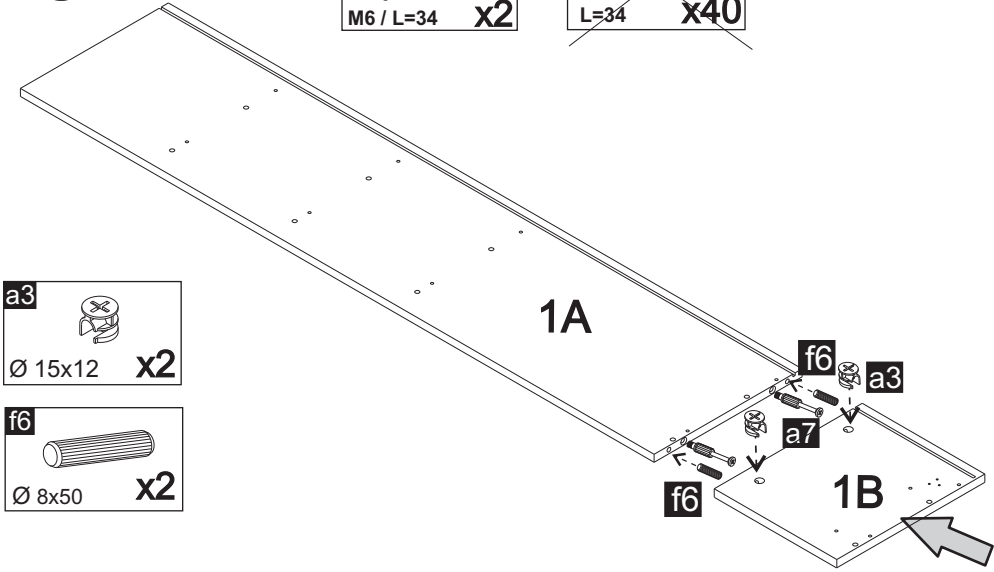
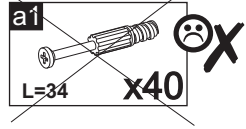
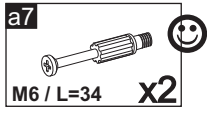
Bookcase / Regal



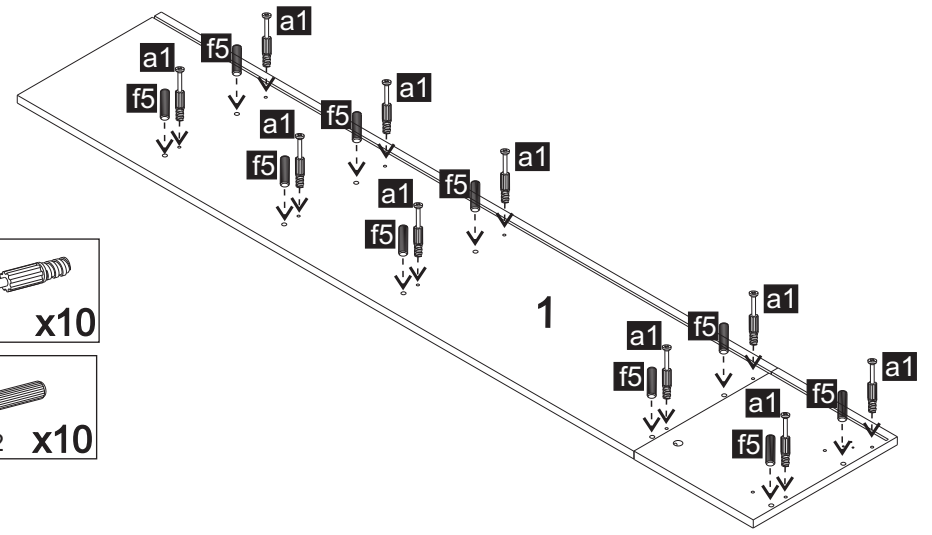
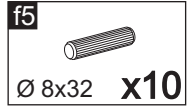
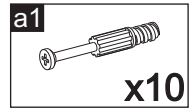
65cm x 185cm x 32cm



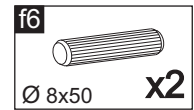
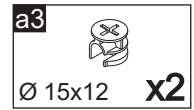
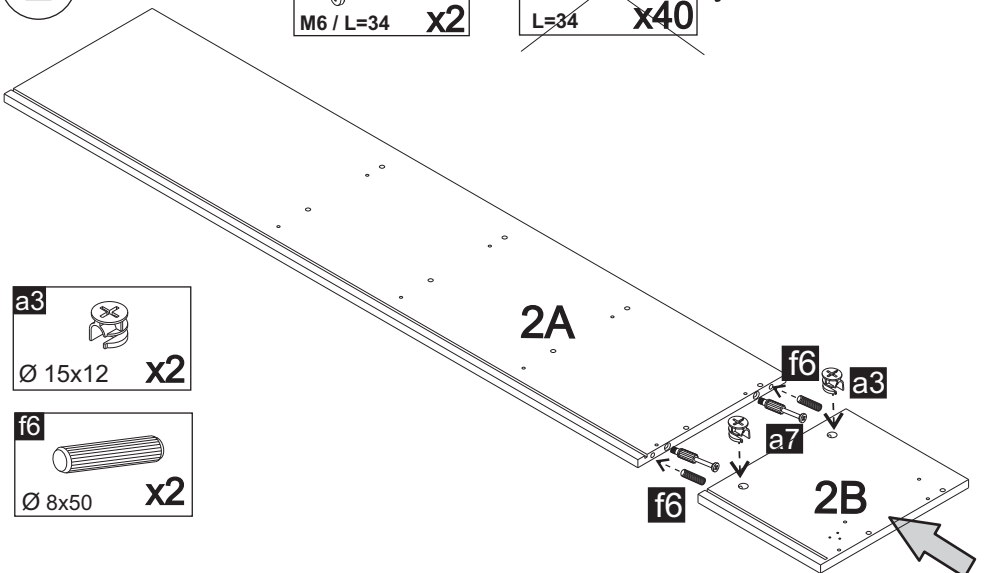
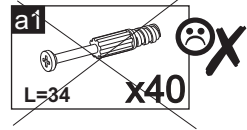
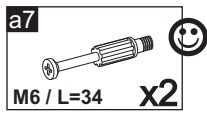
1



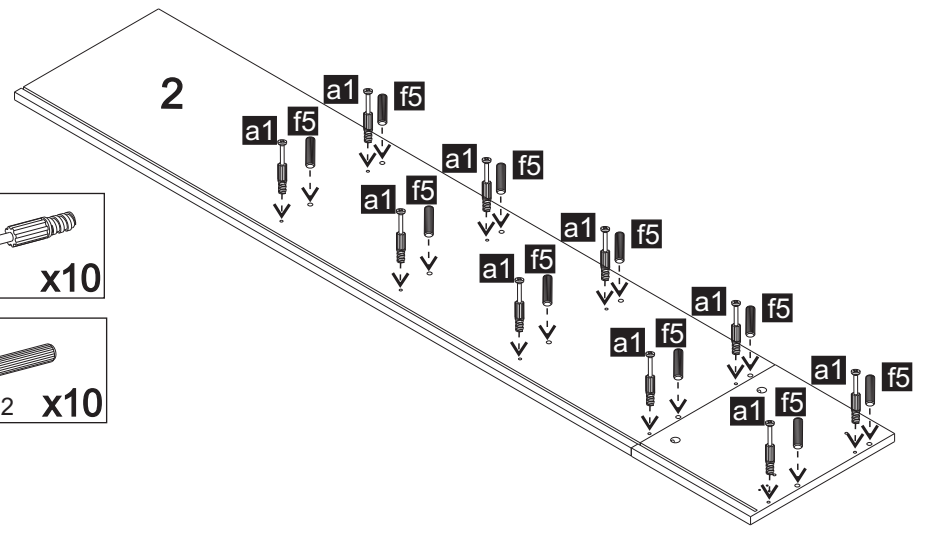
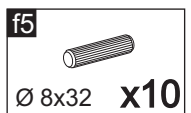
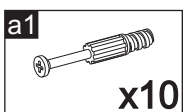
3



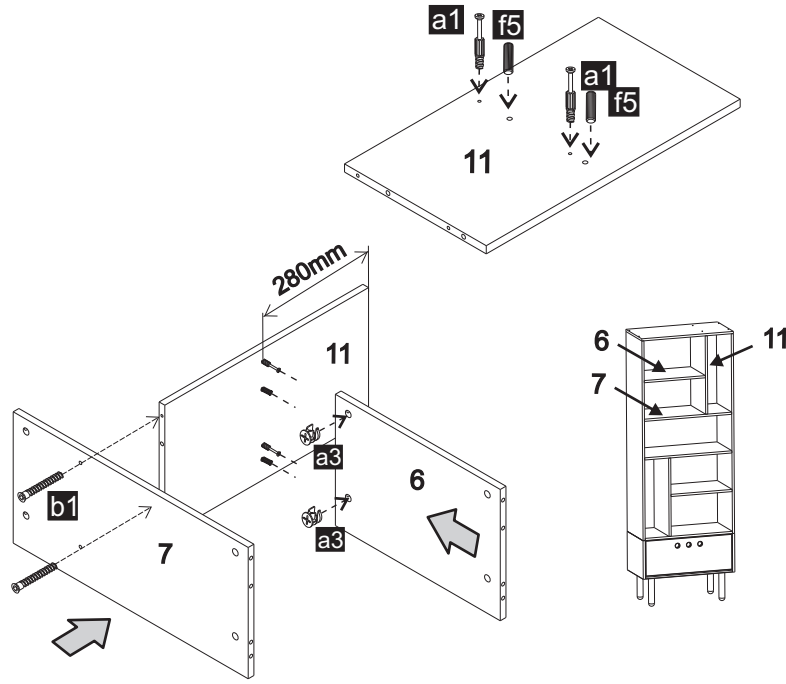
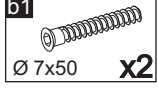
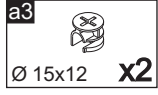
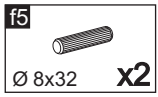
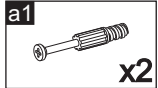
2



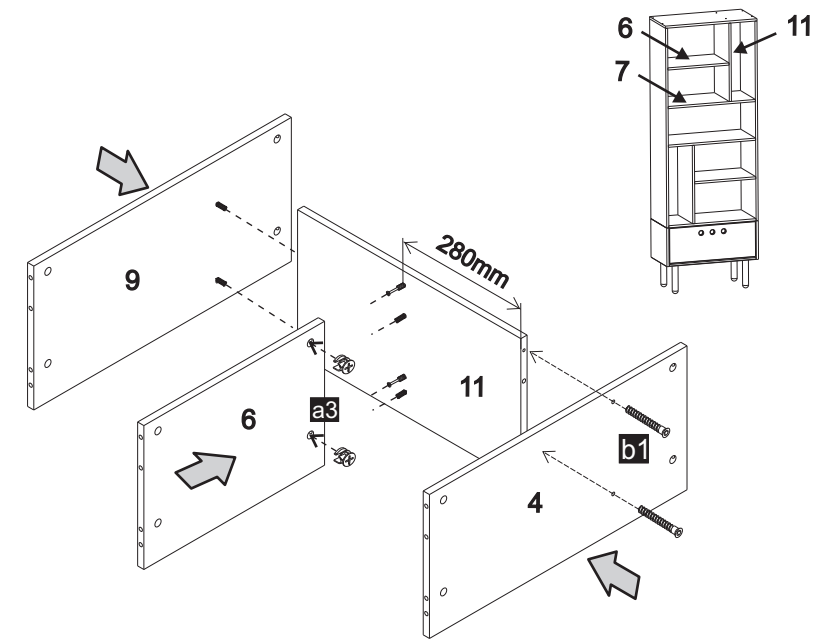
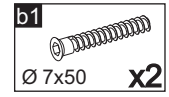
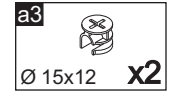
4



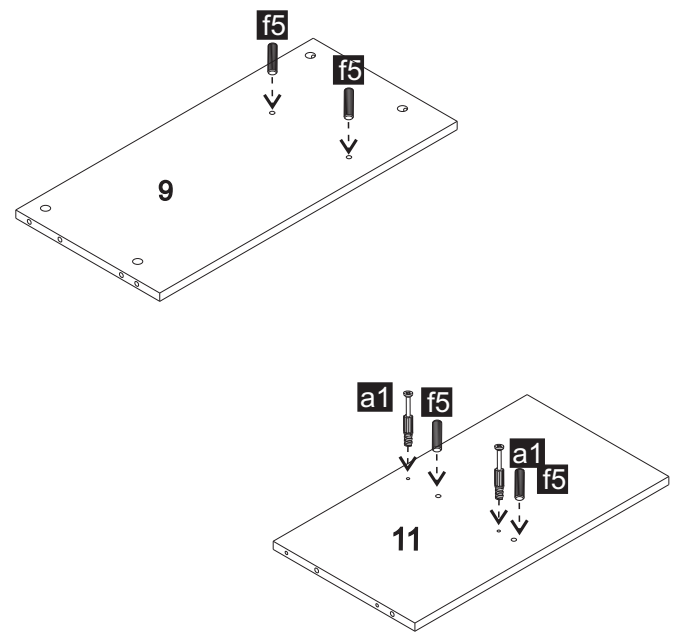
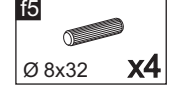
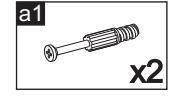
5



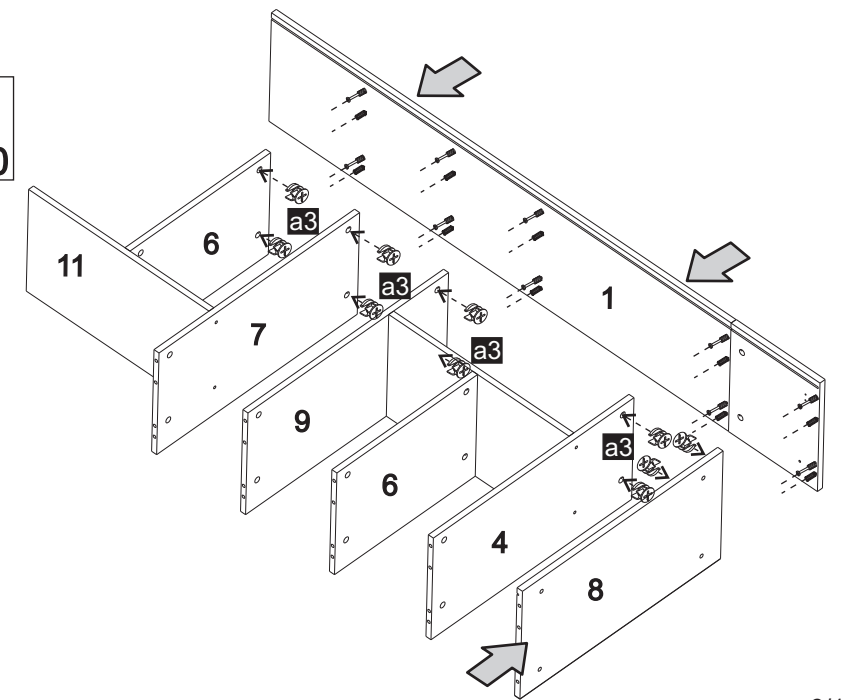
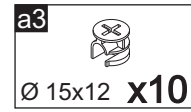
7



6

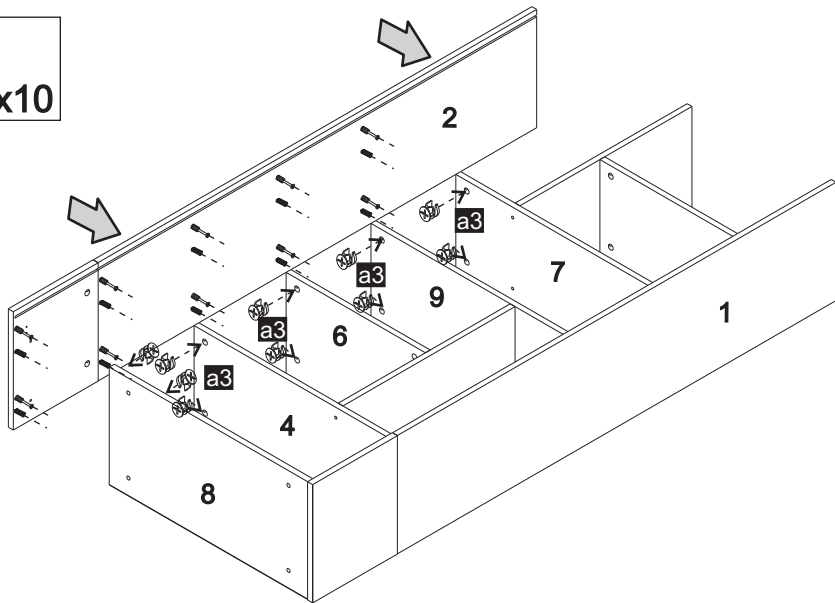


8

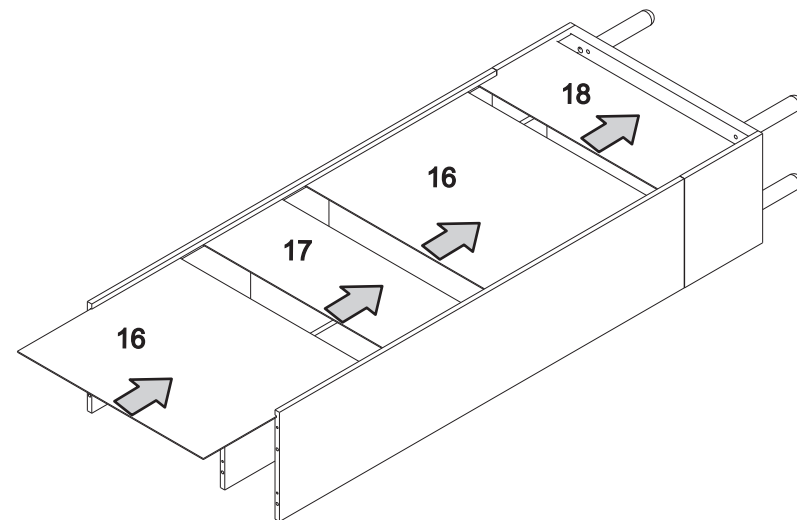


9

a3
Ø 15x12 x10

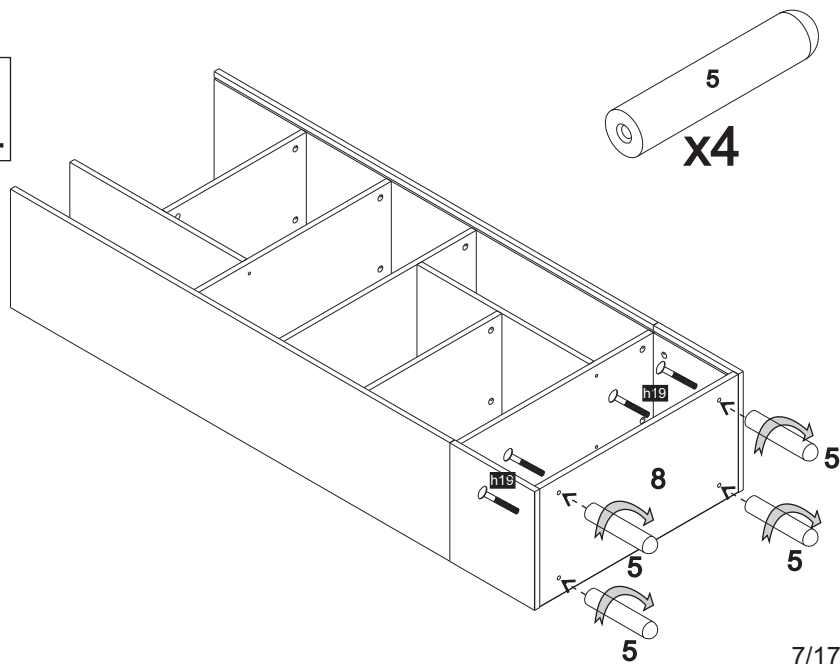


11



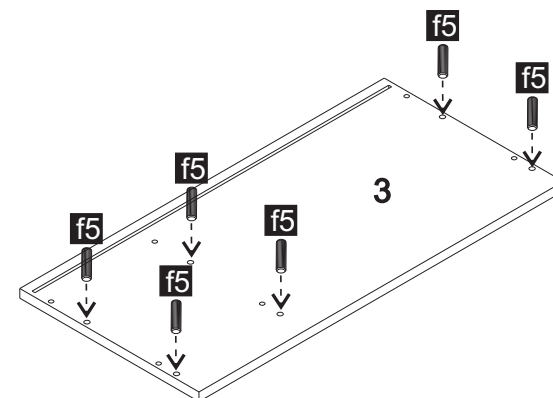
10

h19
Ø 8x40 x4



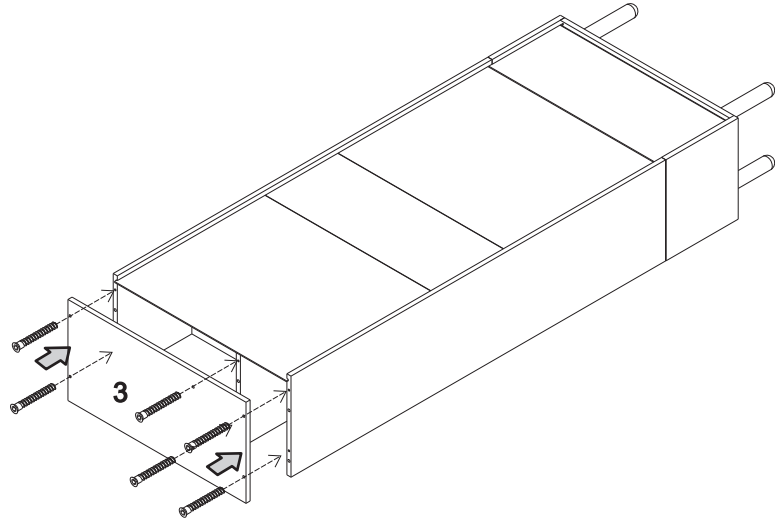
12

f5
Ø 8x32 x6



13

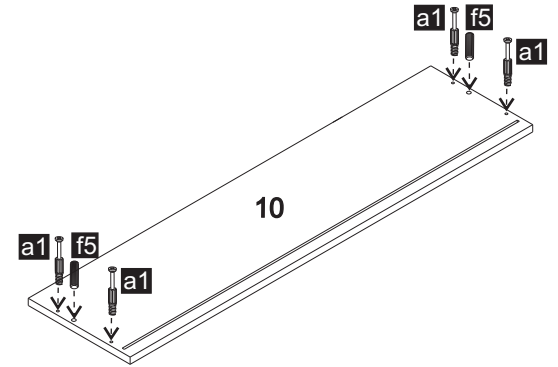
b1
Ø 7x50 x6



15

a1
x4

f5
Ø 8x32 x2

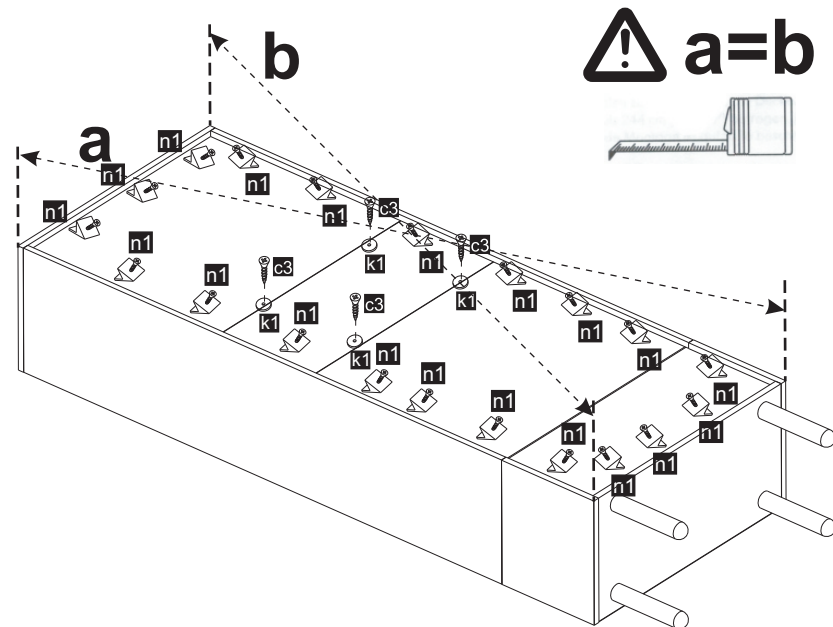


14

c3
Ø 3x20 x6

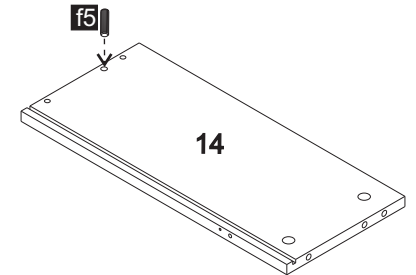
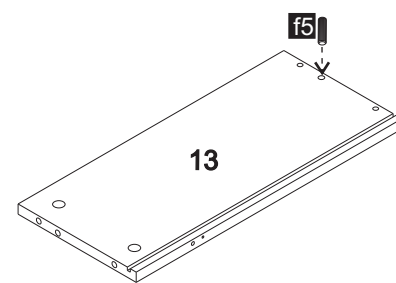
k1
x6

n1
x20

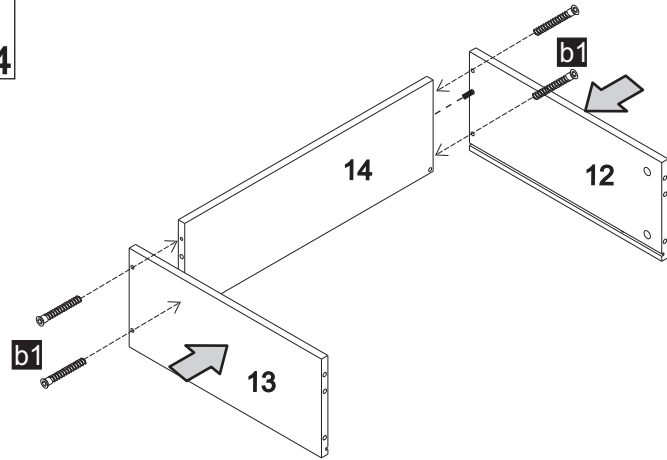
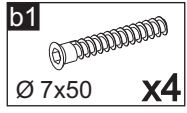


16

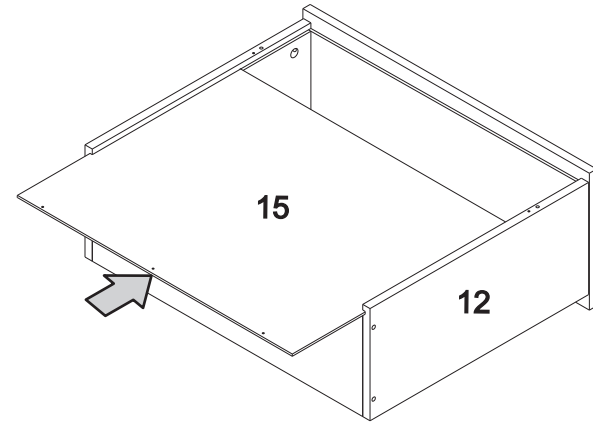
f5
Ø 8x32 x2



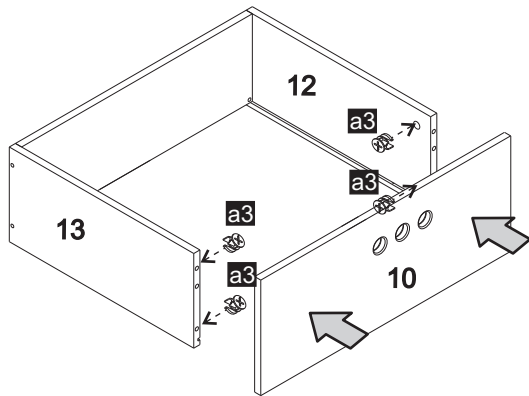
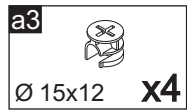
17



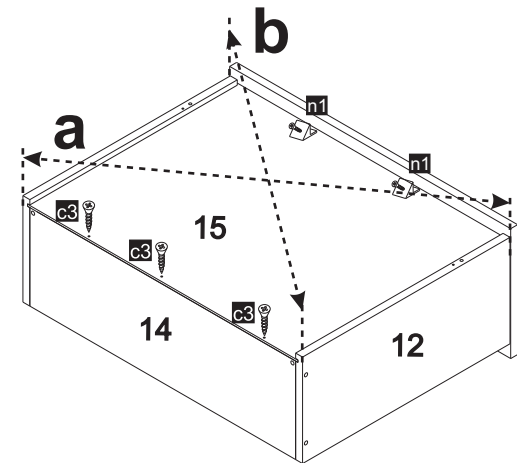
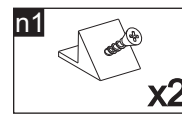
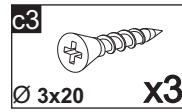
19



18



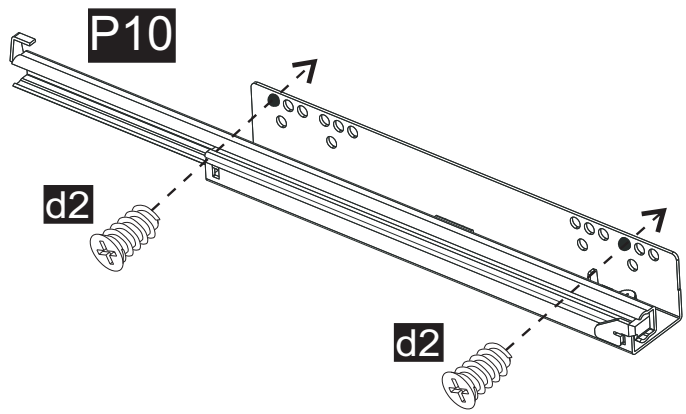
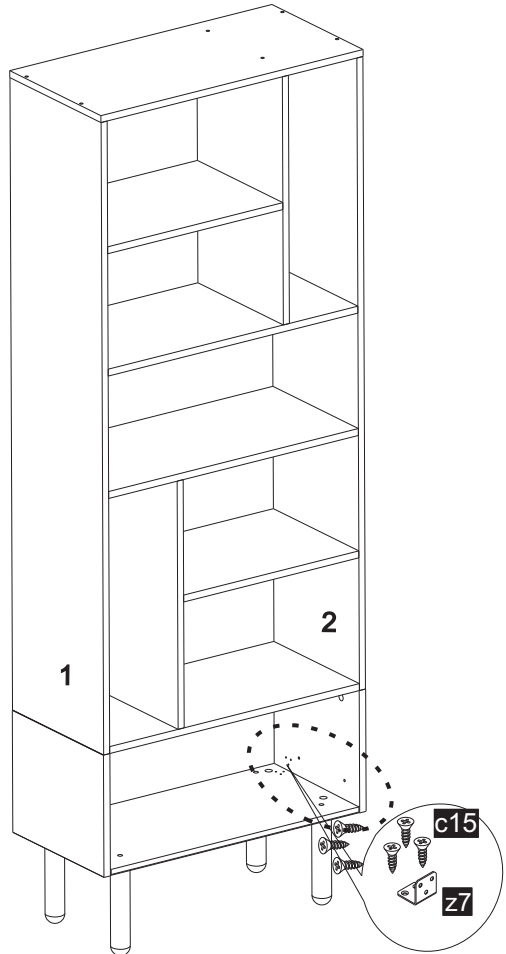
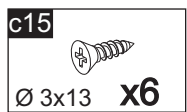
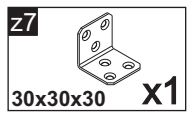
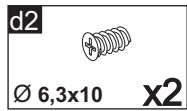
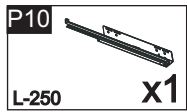
20



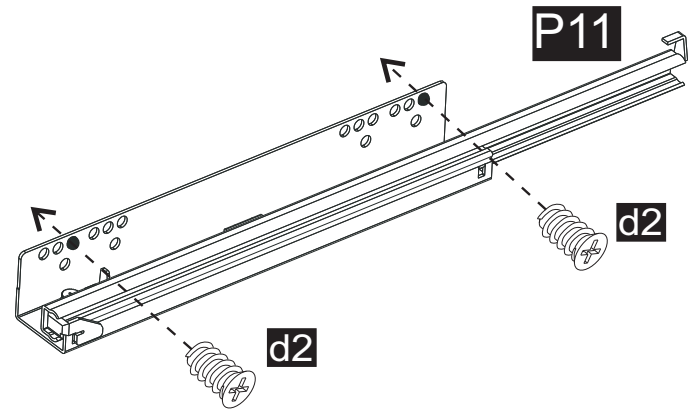
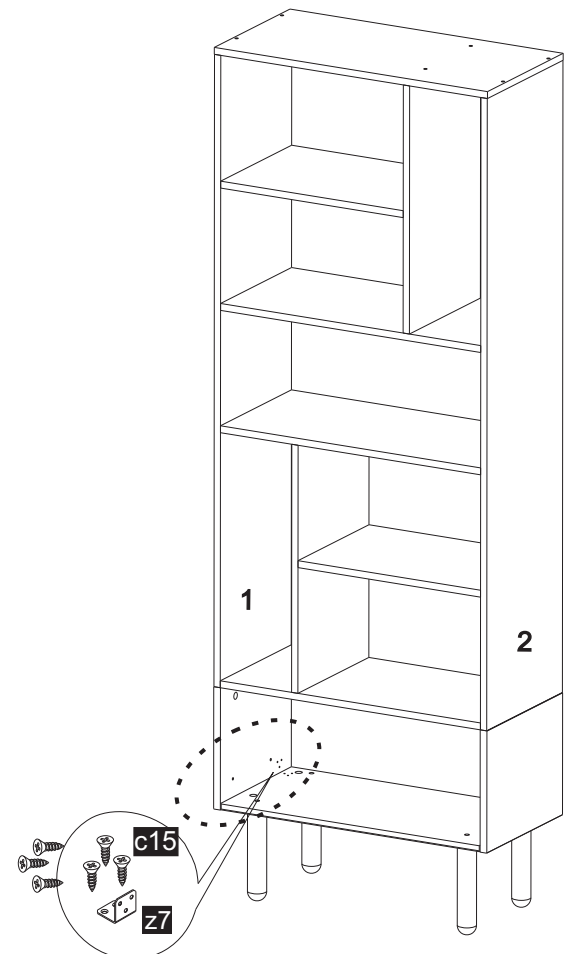
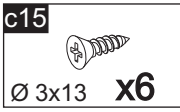
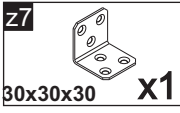
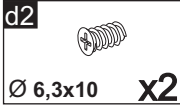
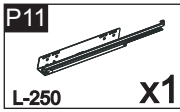
! a=b

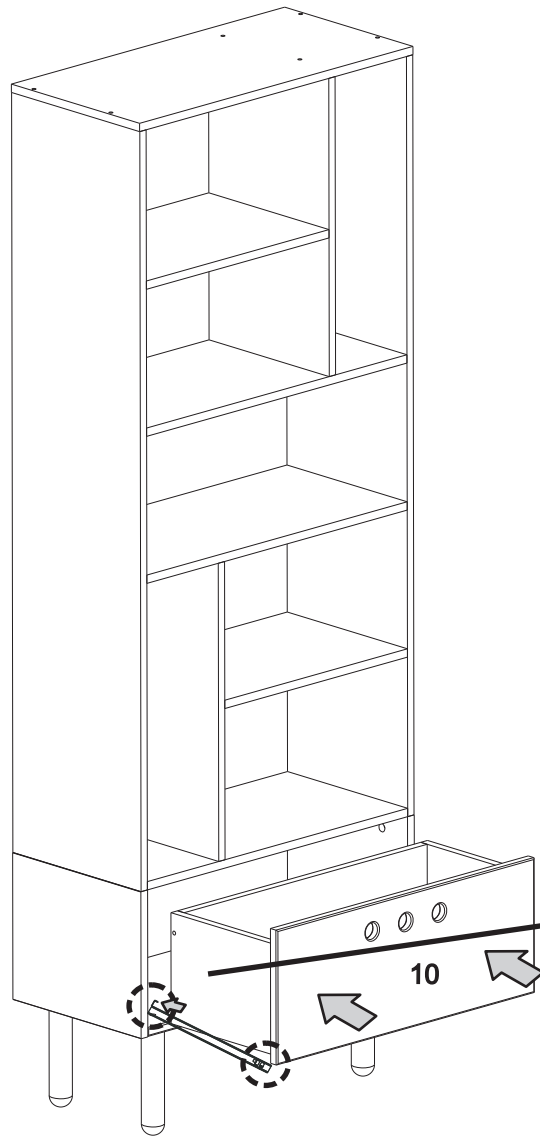


21

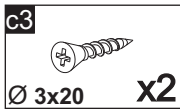


22





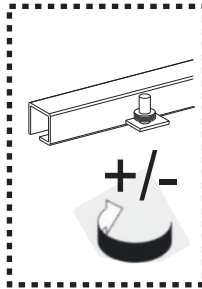
23



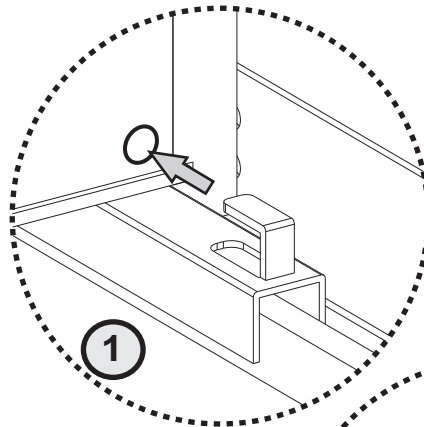
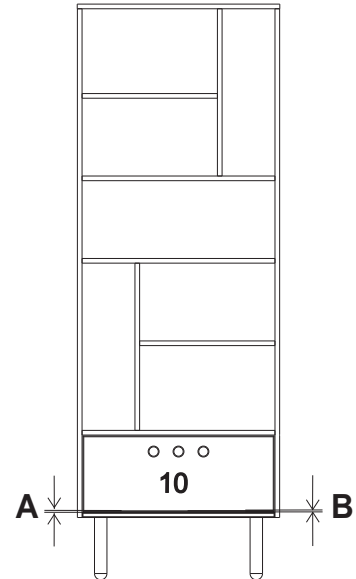
24



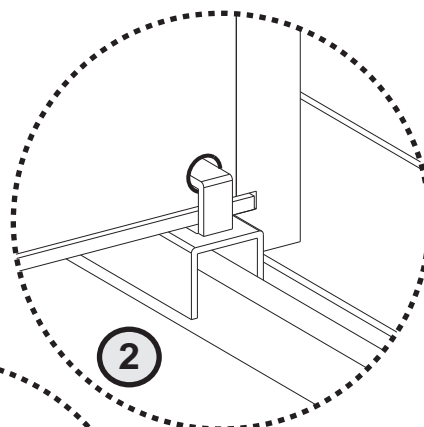
A≠B



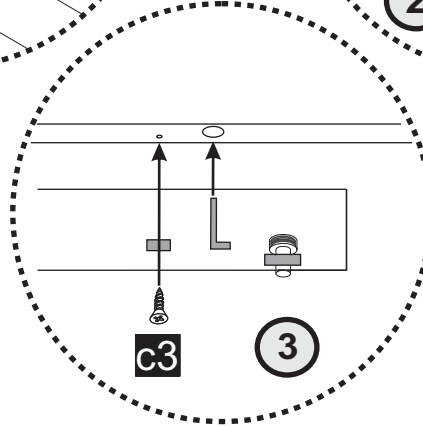
A=B



1

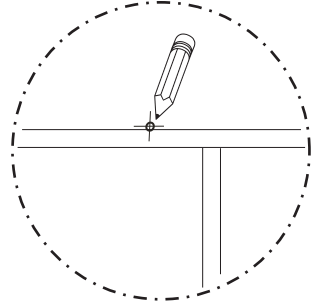
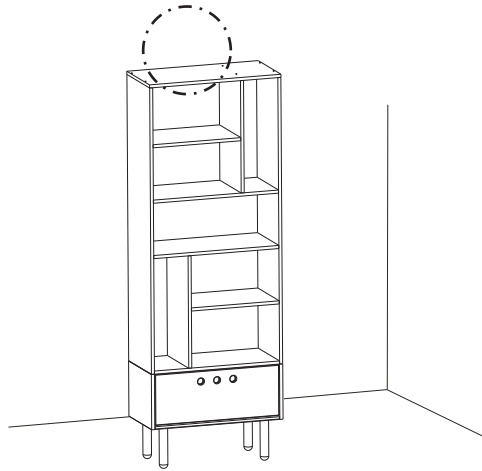


2




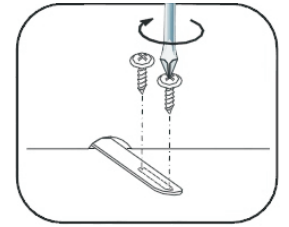
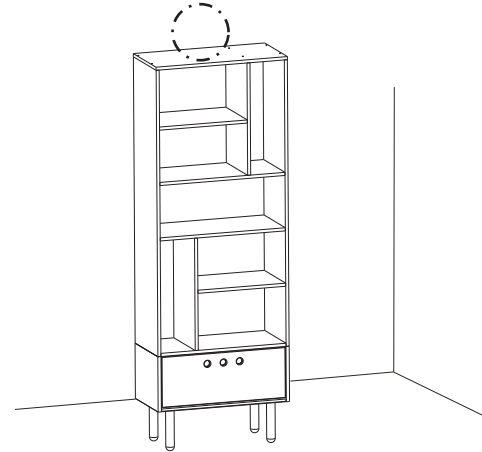
3

25

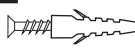


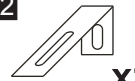
27

c12

 Ø 3,5x13 x2



26

o1

 x1

o2

 x1

